

get **more** 010.2936

Get more out of your cabling

- Standards-compliant adapter solutions
- More flexibility
- Upgradeable





Products	Page
1 Adapter Easy Flex, shielded	182
2 CATVsolution 862/8 MHz	184

Adapter and Baluns Easy Flex

010.0831



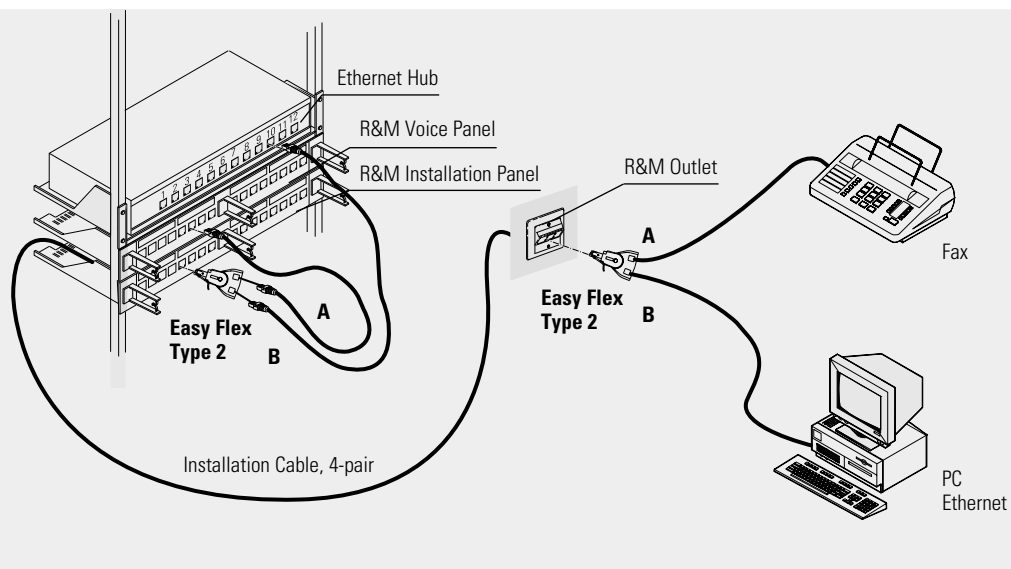
The Easy Flex Adapter is a fully shielded Cat. 5 product for any two applications on a generic transmission link.

Features

- Putting all four pairs of the generic transmission link to use
- No installation downtime, just plug-and-play
- All essential protocols feasible with only four fully shielded Cat. 5 Easy Flex types
- Can be swivelled by 60° and be fitted onto patch panels and outlets

Application

020.0956



Applications

Easy-Flex-Types

	1		2		4	
	A	B	A	B	A	B
Jack	A	B	A	B	A	B
Pin assignment	3+6/4+5	3+6/4+5	3+6/4+5	1+2/3+6	1+2/3+6	1+2/3+6
Token ring	X	X	X			
Ethernet				X	X	X
Phone/fax/modem	X	X	X			
ISDN	X	X	X			

Ordering Information

010.0831



Description

Packing Unit

Part Number

Easy Flex shielded Type 1

1

R25938

Easy Flex shielded Type 2

1

R25939

Easy Flex shielded Type 4

1

R35120

010.2863/010.2752.1



CATVsolution 862/8 MHz

Technical information

The new R&M CATVsolution 862/8MHz system is a solution that allows the transmission of high-frequency signals of 47 to 862 MHz over up to 90 m on the existing network in structured cabling systems. TV signals can be distributed to every workplace over the structured cabling system. The data cable, equipped with a balun, directly transmits the signal from workplace outlet to terminal device. The advantages are easy installation and start-up through any installer since there is no need for an adapter or other adjustments.

010.2863



Technical Data

19" CATV Panel 862/8MHz

Frequency range	47 – 862 MHz
Frequency range return channel	5 – 30 MHz (optional)
Input level range	70 – 80 dBuV angled < 3 db
Amplification	15 – 35 dB
Signal output (RJ45)	max. 97 dBuV
Impedance matching	75 per 100 Ohm
Link lengths	15 – 90 m
HF input socket	F-socket/75 Ohm
Exits	8 x RJ45 (Cat. 6s)
Pin assignment	pin 4 + 5
Output level	max. 97 dBuV
Power supply	external units 15 V 800 mA
Housing	19" 1U, metal

Power supply unit

AC/AC power unit	9 – 24 V 1000 mA
AC voltage plug	2.1 x 5.0 mm
Connection cable	1.75 m
Power plug	T12
Overload/short-circuit	thermal cutout

010.2752.1



CATV Balun Patch Cable

Connector RJ45 Cat. 6 acc. to	IEC 60603-7
Balun	100 Ohm bal. On 75 Ohm unbal.
Matching	< 2
Cable	R&Mfreenet Cat. 6 flex, SF/UTP
Lengths	2.5 m + 5.0 m

Image quality dependent on cable length and frequency

Bandwidth of the cable network¹⁾

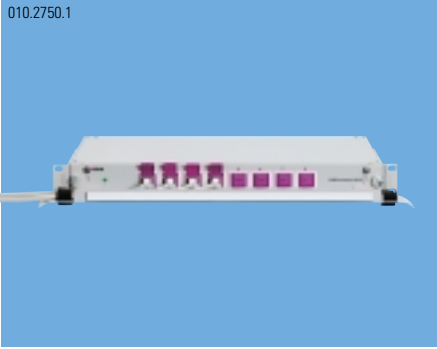
Length	50 MHz	300 MHz	600 MHz	862 MHz
15 m	3,1	8,1	13	22
30 m	6	13	21	29
45 m	8	18	28	37
60 m	11	23	36	45
90 m	13	29	45	56

Very good image quality

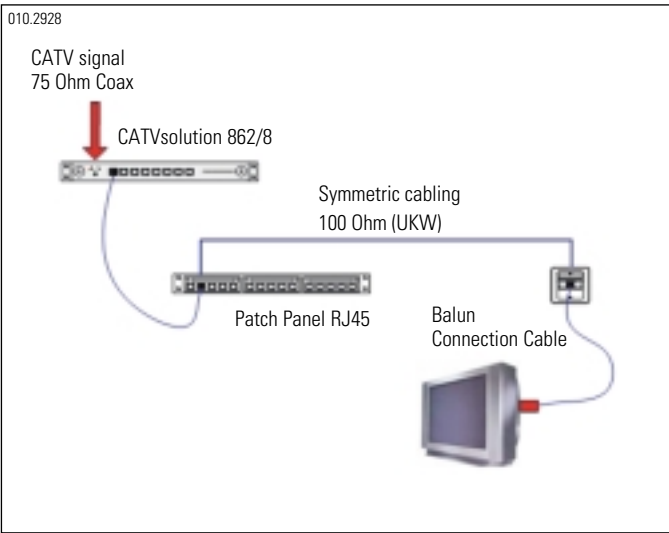
In this range image quality depends on the cable used and the TV set.

¹⁾ Conductor diameter 0.55 mm.

Note: depending on cable and conductor diameter deviations in length in both directions may occur.



Three services in one cable
Multimedia solutions at 47 – 862 MHz on structured cabling systems



Features

- Radio, TV, video, data transmission, voice directly over existing 100 Ohm cabling systems (twisted pair), Cat. 5e/6
- Active system over existing generic data communications systems, making it possible to use cable lengths of up to 90 metres without signal amplifiers
- The star-shaped «structured cabling system» provides individual access to each workplace
- Additional users can be easily integrated without additional expenses for mounting; calibration is not necessary anymore
- TV signals are fed through standardised RJ45 connector systems
- No additional coax network needs to be installed for the TV/multimedia application
- All available TV channels between 47 and 862 MHz can be transmitted
- Plug-and-play system
- Impedance matching 100/75 Ohm is integrated in the connection cable

Ordering Information	Description	Packing Unit	Part Number
----------------------	-------------	--------------	-------------



8 Port Distribution Panel CATVsolution 862/8 MHz
 Active panel for the distribution of CATV signals over a structured cabling system. The CATV panel converts the CATV signal (coaxial/75 Ohm) into a balanced signal (balanced/100 Ohm). Telephone services can be transmitted over the same connection. Including power supply unit 220V/24V.

1 R308808



CATV-Balun Connection Cable
 The CATV-balun converts the CATV signal, i.e. the balanced signal (100 Ohm), transmitted over the structured cabling system, into a coaxial signal (75 Ohm) that can be read by a terminal device.
 Length: 2.5 m
 5.0 m

1 R308809
 1 R308810

